

# CLAMPRO®



## 3 IN 1 COMBINATION AIRTOOL KIT

MODEL NO: CAT208

PART NO: 3120525

## OPERATING & MAINTENANCE INSTRUCTIONS

UK  
CA | CE

ORIGINAL INSTRUCTIONS

GC06/22 - Rev 1

---

## INTRODUCTION

---

Thank you for purchasing this CLARKE 3 in 1 Combination Air Tool Kit

Before attempting to use this product, please read this manual thoroughly and follow the instructions carefully. In doing so you will ensure the safety of yourself and that of others around you, and you can look forward to your purchase giving you long and satisfactory service.

**Please keep these instructions in a safe place for future reference.**

---

## GUARANTEE

---

This product is guaranteed against faulty manufacture for a period of 12 months from the date of purchase. Please keep your receipt which will be required as proof of purchase.

This guarantee is invalid if the product is found to have been abused or tampered with in any way, or not used for the purpose for which it was intended.

Faulty goods should be returned to their place of purchase, no product can be returned to us without prior permission.

This guarantee does not affect your statutory rights.

# SPECIFICATIONS

<b>Model Number</b>	<b>CAT208</b>
Dimensions (L x W x H)	198 mm (right angle grinder) 201 mm (die grinder) 266 mm (ratchet wrench) x 72 mm x 43 mm
Weight	2.4 kg (complete)
Air Inlet Size	1/4" BSP (female)
Operating Pressure	90 psi (6.2 bar)
Air Consumption	4 cfm (average)
Speed settings	Variable speed trigger
<b>Die Grinder</b>	
Max No Load Speed Collet size Weight	18000 rpm @ 90psi 1/4" (6 mm) 0.795 kg
<b>Right angle die grinder</b>	
Max No Load Speed Collet size Weight	15000 rpm @ 90psi 1/4" (6 mm) 0.915 kg
<b>Ratchet wrench</b>	
Max No Load Speed Reverse action Maximum torques Drive size Weight	180 rpm @ 90psi F/R knob 60 ft/lb (85 Nm) 3/8" 1.4 kg
Sound Pressure Level (LpA dB)	86 dB(A) (all tools)
Sound Power Level (LwA dB)	99 dB(A) (all tools)
Vibration Levels	3.95 m/s <sup>2</sup> (uncertainty factor 1.5 m/s <sup>2</sup> )

Please note that the details and specifications contained herein are correct at the time of going to print. However CLARKE International reserve the right to change specifications at any time without prior notice.

---

## GENERAL SAFETY RULES

---



CAUTION: FAILURE TO FOLLOW THESE PRECAUTIONS COULD RESULT IN PERSONAL INJURY, AND/OR DAMAGE TO PROPERTY.

---

### THE WORK ENVIRONMENT

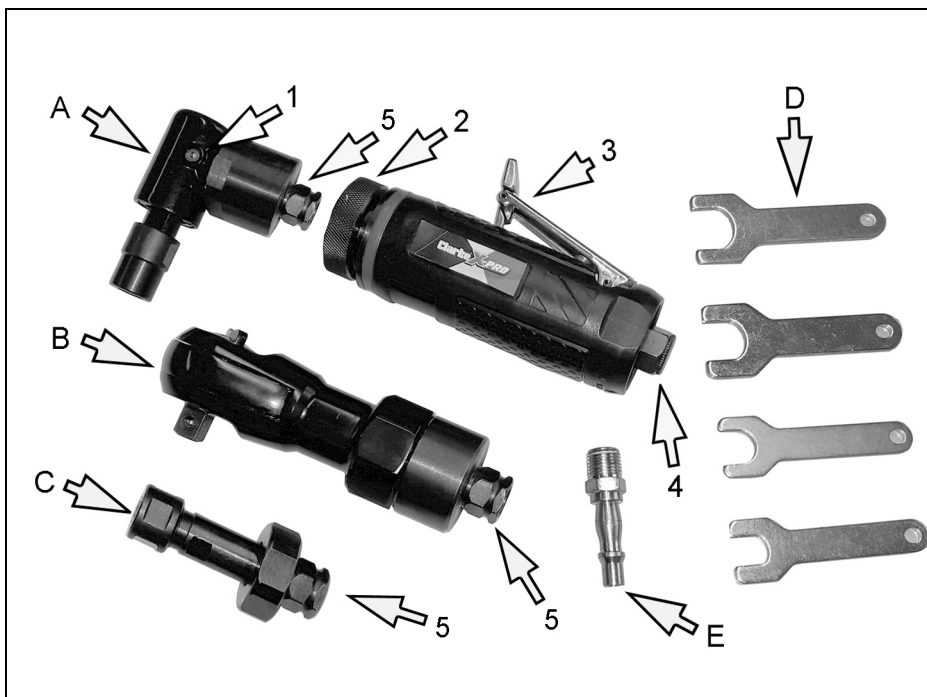
1. ALWAYS keep the work area clean and tidy.
2. ALWAYS dress appropriately - Do not wear loose clothing or jewellery. Tie long hair out of the way.
3. ALWAYS keep children and visitors away - Do not let children handle the air tool.
4. DO NOT operate the tool where there are flammable liquids or gases.

### USE OF AIR POWERED TOOLS

1. ALWAYS stay alert and use common sense - do not operate the air tool when you are tired or under the influence of alcohol, drugs or medication.
2. ALWAYS wear eye protectors when using the air tool - Eye protectors must provide protection from flying particles from the front and the side.
3. ALWAYS wear ear protectors when using the air tool.
4. DO NOT overreach - Keep proper footing and balance at all times.
5. DO NOT use oxygen, CO<sup>2</sup>, combustible gases or any type of bottled gas as a source of power for the air tool.
6. DO NOT connect the air supply hose with your finger on the trigger.
7. DO NOT exceed the maximum pressure for the air tool of 90 psi / 6.2 bar.
8. ALWAYS check hoses for leaks or worn condition before use, and ensure that all connections are secure.
9. DO NOT use the air tool for any other purpose than that described in this manual.
10. ALWAYS keep the air hose away from heat, oil and sharp edges.
11. DO NOT fit the air tool to a stand or clamping device that may damage it.
12. DO NOT carry out any alterations or modifications to the air tool.
13. ALWAYS disconnect from the air supply when:
  - Performing any maintenance.

- The air tool is not in use.
  - The air tool will be left unattended.
  - Moving to another work area.
14. DO NOT use the air tool if it is defective or operating abnormally.
  15. DO NOT damage the air tool by applying excessive force.
  16. ALWAYS maintain the air tool with care. Keep it clean for the best and safest performance.
  17. Quick change couplings should not be located at the air tool. They add weight and could fail due to vibration.
  18. DO NOT force or misuse the air tool. It will do a better and safer job at the rate for which it was designed.
  19. These air tools vibrates with use. Vibration may be harmful to your hands or arms. Stop using the air tool if discomfort, a tingling feeling or pain occurs. Seek medical advice before resuming use.
  20. DO NOT carry the air tool by the air supply hose.
  21. DO NOT carry the air tool with your finger on the trigger.
  22. When not in use, disconnect the air tool from the air supply and store in a dry place out of the reach of children.

# OVERVIEW



When opening the blow moulded case for the first time, check that all the items are present. Any damage or deficiency should be reported to your CLARKE dealer immediately.

NO	DESCRIPTION	NO	DESCRIPTION
A	Right Angle Drive attachment	D	4 x Collet Wrenches (11,14,17 &19 mm)
B	Ratchet wrench attachment	E	1/4" Male Connector
C	Die grinder attachment		
1	Grease nipple	3	Trigger
2	Quick release locking collar	4	Air Inlet
		5	Quick connector

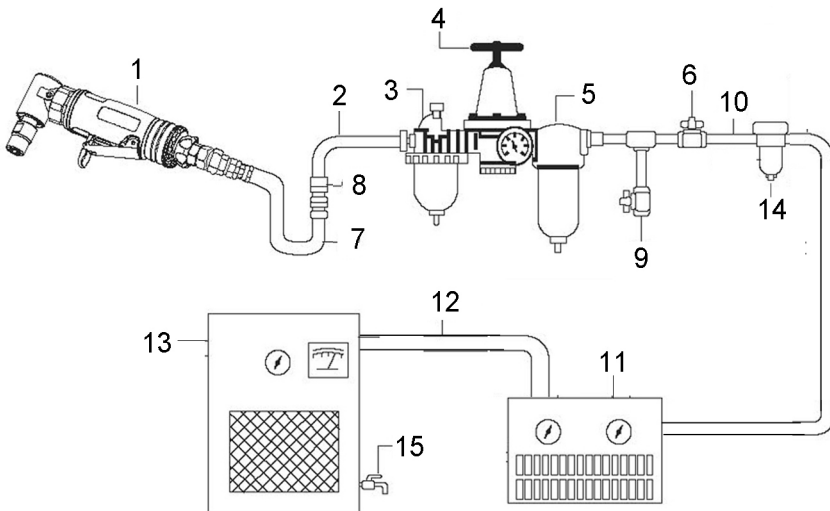
# COMPRESSED AIR REQUIREMENTS



**WARNING: COMPRESSED AIR CAN BE DANGEROUS. ENSURE THAT YOU ARE FAMILIAR WITH ALL PRECAUTIONS RELATING TO THE USE OF COMPRESSORS AND COMPRESSED AIR SUPPLY.**

A typical air line layout is shown below. If an automatic in-line filter/regulator is used it will keep the tool in good condition, but should be regularly checked and topped up with oil. SAE 10 oil should be used and the lubricator adjusted to approx 2 drops per minute.

Use only clean, dry, regulated compressed air as a power source.



## AIR SYSTEM LAYOUT

- |                               |                                     |
|-------------------------------|-------------------------------------|
| 1. Air Tool                   | 9. Drain Valve                      |
| 2. Air Hose                   | 10. 1/2" Or Larger Pipe And Fitting |
| 3. Oiler                      | 11. Air Dryer                       |
| 4. Pressure Regulator         | 12. 1" Or Larger Pipe And Fitting   |
| 5. Filter                     | 13. Air Compressor                  |
| 6. Shut Off Valve             | 14. Auto Drain                      |
| 7. Whip Hose                  | 15. Drain Valve                     |
| 8. Coupler Body And Connector |                                     |

Air compressors used with the air tool must comply with the appropriate European Community Safety Directives.

The air hose should be rated at least 150% of the maximum operating pressure of the tool.

A build-up of moisture or oil in the air compressor will accelerate wear and corrosion in the tool. ensure any moisture is drained from the compressor daily and the inlet filter is kept clean.

If an unusually long air hose is required, (over 8 metres), the line pressure or the hose inside diameter may need to be increased. The air hose must be rated at least 150% of the maximum operating pressure of the air tool.

Never exceed the maximum operating pressure for the air tool. It is recommended that air pressure to the air tool does not exceed 90 psi at the air tool when running. Higher pressures and unclean air will shorten the life of the air tool due to faster wear and is a possible safety hazard.



---

## BEFORE USE

---

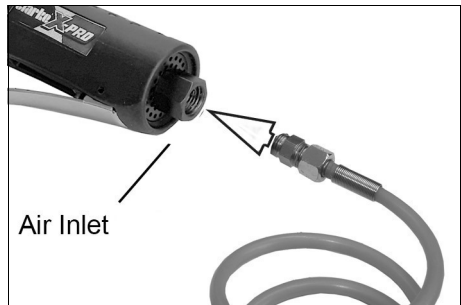


**WARNING: COMPRESSED AIR CAN BE DANGEROUS. ENSURE THAT YOU ARE FAMILIAR WITH ALL PRECAUTIONS RELATING TO THE USE OF AIR COMPRESSORS AND COMPRESSED AIR SUPPLY.**

---

### CONNECTING THE AIRLINE

1. Remove the plastic blanking plug from the air inlet connection.
2. Pour 2-3 drops of airline oil into the oil filling port. This should be done regardless of whether or not a lubricated air supply is to be used.
3. If required, connect an in-line mini oiler to the tool.
  - A mini oiler helps to prolong the life of any air tool.
4. If a mini-oiler is not being used, run a few drops of oil through the tool before use. It can be entered through the airline connector or via the hose at the nearest connection to the air supply.
5. Connect a suitable hose as shown or use the snap connector to connect directly to the hose.
6. Connect the other end of the hose to the compressor.
7. Turn on the air supply and check for air leaks. Rectify any found before proceeding.
  - PTFE tape may be useful for sealing threaded connections.
8. If using a mini oiler, place a sheet of paper next the exhaust port and hold the throttle open for approximately 30 seconds. The oil volume is correctly set when a light stain of oil can be seen on the paper. Excessive oil should be avoided.
9. Your air tool is now ready for use.



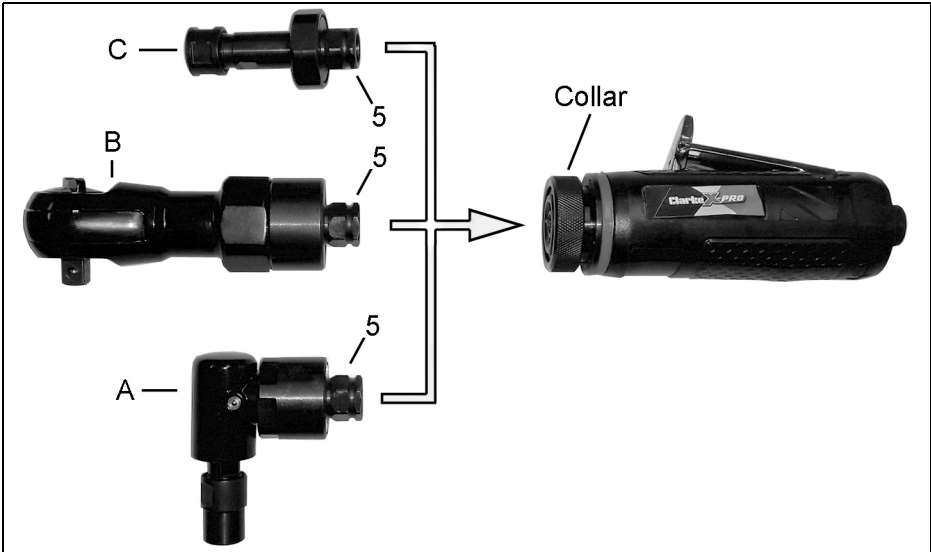
### FITTING THE ATTACHMENTS

This 3-in-1 tool combi tool features an interchangeable tool head with quick-release coupling. Choose your tool attachment.

Select the required tool head assembly (A, B, or C on page 6) and offer to the main housing. Align the hexagonal quick-connection adapter (5) to the inner

hexagonal socket and insert. Pull the quick release locking collar backward with one hand.

Release the quick release collar to retain the tool head assembly (A, B, or C). Check that the tool head assembly is securely locked in place

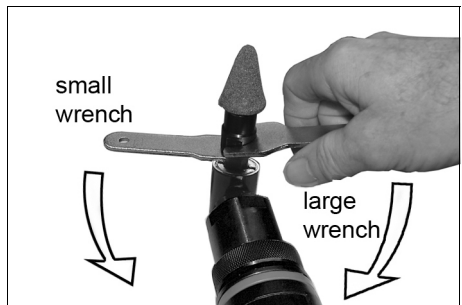


## THE DIE GRINDERS

### FITTING THE GRINDING STONE

**IMPORTANT: Never use chipped or cracked grindstones.**

1. Slip the shank of the chosen grinding stone into the collet and tighten the screw cap finger tight.
2. Place the smaller of the two wrenches (11mm) over the collet seat to stop the tool from rotating.
3. Use the larger wrench (17mm) to fully tighten the collet and grip the stone in position as shown.
4. If another collet is to be used, undo the screw cap completely and pull out the collet from the collet seat. Replace it with the new collet and screw the cap loosely back on.



## OPERATING THE DIE GRINDERS

1. Slide the throttle locking lever forward while squeezing the trigger against the tool body.
  - Do not use excess pressure on the grinding stone as this will shorten its life.
2. Release the trigger to stop the grinder.
  - The stone will continue to rotate for a short time after the trigger has been released.
3. Always ensure the die grinder has stopped before putting it down.



---

## THE RATCHET WRENCH

---

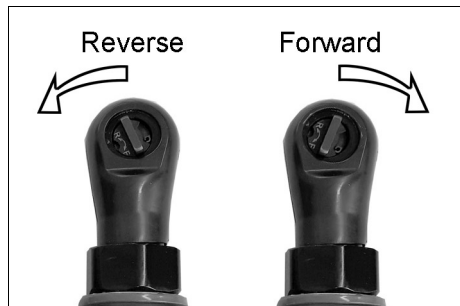
### SETTING THE DIRECTION OF ROTATION



**WARNING: ALWAYS WAIT UNTIL THE DRIVE SHAFT HAS STOPPED ROTATING BEFORE SETTING THE DIRECTION CONTROL.**

To select the direction of rotation turn the direction control as follows.

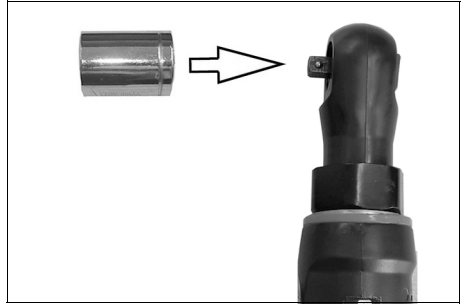
- For loosening bolts/nuts, turn the direction control clockwise to R (Reverse) .
- For tightening bolts/nuts, turn the direction control anti-clockwise to F (Forward).



### FITTING SOCKETS AND USING THE RATCHET WRENCH

1. Select the socket you require and push it onto the square drive shaft.
  - It clicks into place when secure.
2. Place the socket over the nut./bolt.
  - Take care that the socket is firmly engaged.

3. Squeeze the trigger against the body of the air tool to start.
4. Release the trigger to stop the tool.
5. Always ensure the air tool has stopped before putting it down.
6. When releasing very tight fastenings initially break loose by hand. Squeeze the trigger and the air tool will complete the job.
7. If necessary, use penetrating oil to assist in freeing off rusted fasteners.
8. When assembling, start turning fasteners by hand, then set the rotation forward or reverse. Apply the air tool gently and squeeze the trigger to tighten with power.
9. Final tightening should be completed by hand, using a torque wrench if needed.



## **DISCONNECTING THE AIR SUPPLY**

1. Do not disconnect the air hose until the supply is isolated at a shut-off valve.
2. Once the pressure has been isolated, disconnect the air supply hose from the air tool.
3. Shut down the compressor at the end of the work session.

## **STORAGE**

If the tool is to be stored, or is idle for longer than 24 hours, run a few drops of CLARKE air line oil into the air inlet, and run the tool for 5 seconds in order to lubricate the internal parts.

When not in use, disconnect from air supply, clean the tools and store in a safe, dry place. When storing, replace the blanking plug to the air inlet once the airline is disconnected.

Avoid storing air tools where the temperature is below 0°C.

## TROUBLESHOOTING

SYMPTOM	PROBLEM	SOLUTION
Tool runs at normal speed but slows down under any load.	<ol style="list-style-type: none"> <li>1. Excessive pressure on tool.</li> <li>2. Motor parts worn.</li> <li>3. Worn or sticking mechanism due to lack of lubricant.</li> </ol>	<ol style="list-style-type: none"> <li>1. Reduce the force applied to the tool.</li> <li>2. Return to CLARKE dealer for repair.</li> <li>3. Drip air tool lubricating oil into air inlet. Allow oil to soak moving parts before using.</li> </ol>
Tool runs slowly. Air flows weakly from exhaust.	<ol style="list-style-type: none"> <li>1. Motor parts jammed with gum/dirt.</li> <li>2. Regulator in closed position.</li> <li>3. General airflow blocked by dirt.</li> </ol>	<ol style="list-style-type: none"> <li>1. Examine inlet air filter for cleanliness.</li> <li>2. Adjust regulator to open position.</li> <li>3. Operate tool in short bursts.</li> </ol>
Tool will not run. Air flows freely from exhaust.	<ol style="list-style-type: none"> <li>1. Motor vanes stuck due to buildup of foreign material.</li> </ol>	<ol style="list-style-type: none"> <li>1. Disconnect air supply and rotate tool assembly manually.</li> <li>2. Try operating tool in short bursts.</li> <li>3. Drip a few drops of air tool lubricating oil into air inlet to soak moving parts.</li> </ol>
Tool will not shut off.	<ol style="list-style-type: none"> <li>1. Throttle O-rings damaged or ill-fitting in seat.</li> </ol>	<ol style="list-style-type: none"> <li>1. Return to CLARKE dealer for repair.</li> </ol>

---

# MAINTENANCE

---



**WARNING: MAKE SURE THAT THE AIR TOOL IS DISCONNECTED FROM THE AIR SUPPLY BEFORE STARTING ANY CLEANING OR MAINTENANCE.**

---

## DAILY

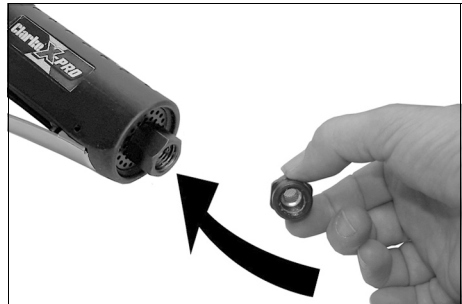
1. Before use, drain water from the air tank, air line and compressor.
2. If no airline lubricator or mini oiler is used, ensure that oil is applied to the air tool on a daily basis through the air inlet connection. Run a few drops of oil through the tool before use. It may be entered into the air inlet, (ensuring the strainer is clear), or into the hose at the nearest connection to the air supply.
3. This procedure should be repeated after every two to three hours of use or at the start of the working day.
4. Keep the body of the air tool clean and free from debris.

## WEEKLY

1. Check the air inlet screen filter for blockage and clean if necessary.

## CLEANING

1. Grit or gum deposits inside the air tool may also reduce its efficiency.
2. After extensive use, remove the inlet screen filter and flush out the mechanism with gum solvent oil or an equal mixture of CLARKE air-line oil and paraffin. Allow to dry before use.



## SERVICE AND REPAIR

1. If the tool runs erratically or becomes inefficient although the air supply is in good order, it may be necessary to dismantle the air motor and replace any worn or damaged parts. Such servicing and repair work should be carried out by a qualified service technician.

## GREASING

The right angle drive is fitted with a grease nipple to provide a facility for lubrication of the drive gears.

1. After extensive use, apply a shot of general purpose grease using a suitable grease gun.



## PERFORMANCE

Please note that outside factors may affect the operation and efficiency of the air tool.

These include reduced compressor output, excessive drain on the airline, moisture ingress, restrictions in the air-line such as the use of connectors of incorrect size or poor condition which will reduce the air supply.

Your air tool has been designed to give long & trouble free service. If, however, having followed the instructions in this booklet carefully, you encounter problems, take the unit to your local CLARKE dealer.

## ACCESSORIES

A wide range of accessories is available including filter/regulators, lubricators, high-pressure hoses (5 to 50 metres) etc.

Contact your CLARKE dealer for further information or CLARKE International Service Department.

CLARKE Air Line Oil (part no. 3050825) is available from your CLARKE dealer.

### **SUITABLE GRINDING STONES INCLUDE:**

CAT144 (10 piece grinding stone set) part no 3120158.

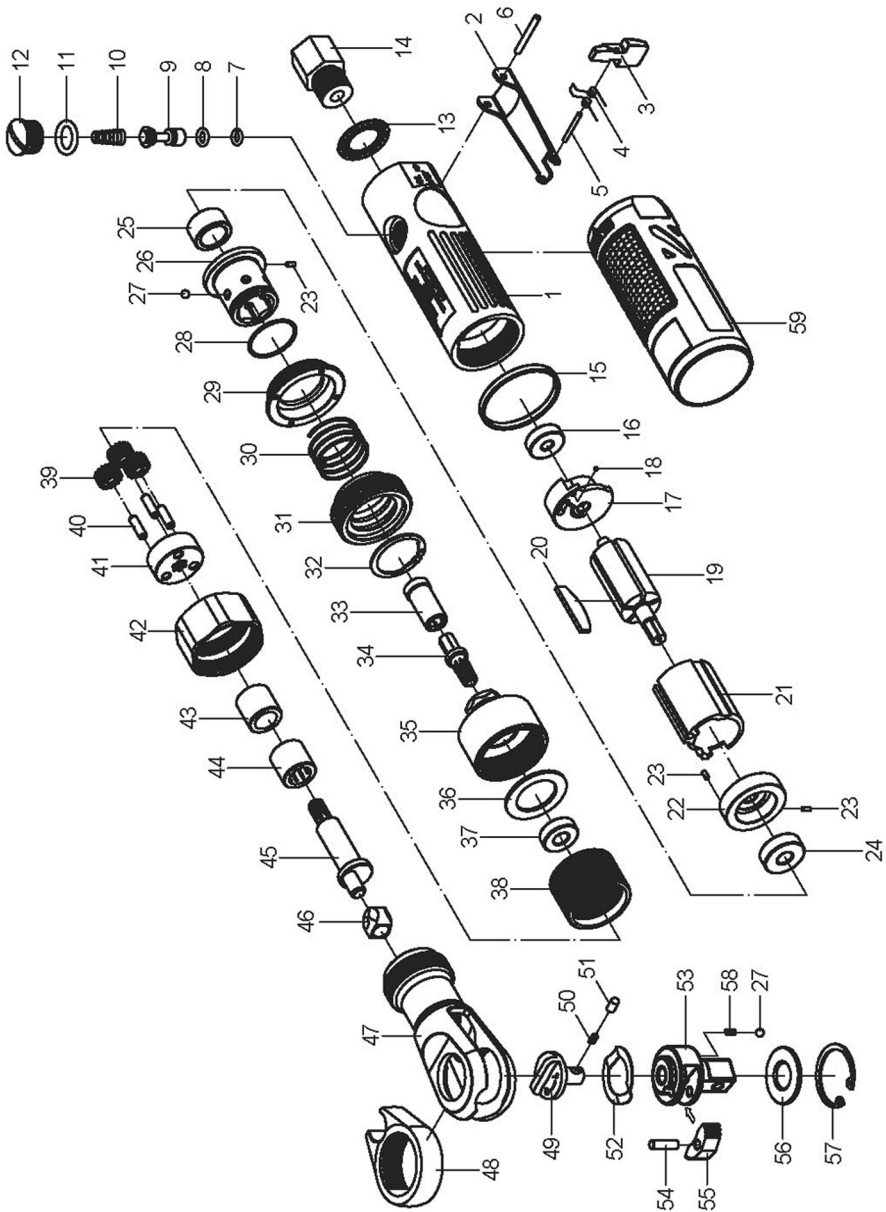
## PARTS LIST - RATCHET WRENCH

No	Description
1	Main Housing
2	Trigger
3	Lever
4	Spring
5	Roll pin
6	Roll pin
7	O-ring
8	O-ring
9	Valve stem
10	Spring
11	O-ring
12	Screw
13	Exhaust deflector
14	Air inlet
15	Seal ring
16	Bearing
17	Rear plate
18	Steel ball
19	Rotor
20	Rotor blade
21	Cylinder
22	Front plate
23	Grub screw
24	Bearing
25	Bushing
26	Set seat
27	Steel ball
28	O-ring
29	Set ring
30	Spring

No	Description
31	Quick release collar
32	Circlip
33	Bushing
34	Adapter axle
35	Adapter sleeve
36	Cushion
37	Bearing
38	Gear ring
39	Gear
40	Bolt
41	Gear seat
42	Screw nut
43	Bushing
44	Needle bearing
45	Eccentric shaft
46	Bushing
47	Ratchet head
48	Ratchet yoke
49	F/R knob
50	Spring
51	Sleeve
52	Flexible spacer
53	Anvil
54	Bolt
55	Ratchet pawl
56	Spacer
57	Ring washer
58	Spring
59	Soft grip



# COMPONENT PARTS - RATCHET WRENCH

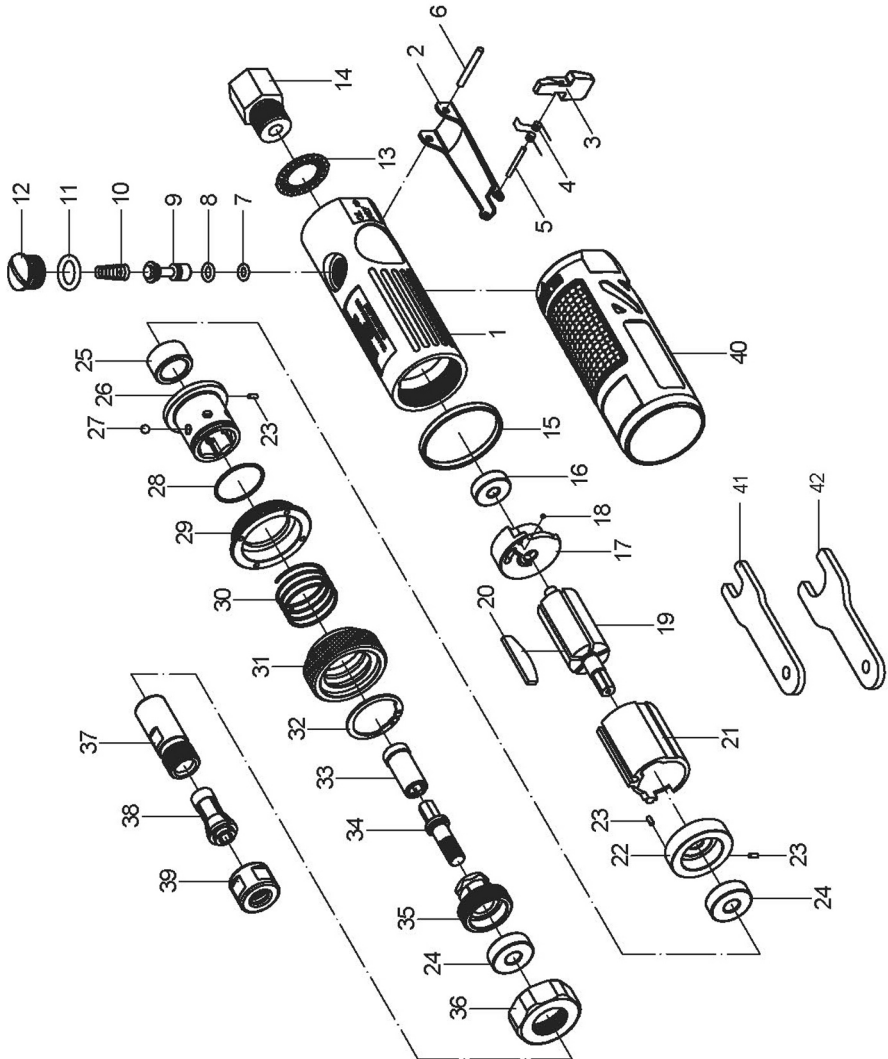


## COMPONENT PARTS - STRAIGHT DIE GRINDER

No	Description
1	Main Housing
2	Trigger
3	Lever
4	Spring
5	Roll pin
6	Roll pin
7	O-ring
8	O-ring
9	Valve stem
10	Spring
11	O-ring
12	Screw
13	Exhaust deflector
14	Air inlet
15	Seal ring
16	Bearing
17	Rear plate
18	Steel ball
19	Rotor
20	Rotor blade
21	Cylinder

No	Description
22	Front plate
23	Grub screw
24	Bearing
25	Bushing
26	Set seat
27	Steel ball
28	O-ring
29	Set ring
30	Spring
31	Quick release collar
32	Ring washer
33	Bushing
34	Adapter axle
35	Adapter sleeve
36	Screw nut
37	Collet holder
38	Collet
39	Collet jacket
40	Soft grip
41	Small wrench (14mm)
42	Large wrench (19mm)

# COMPONENT PARTS - STRAIGHT DIE GRINDER

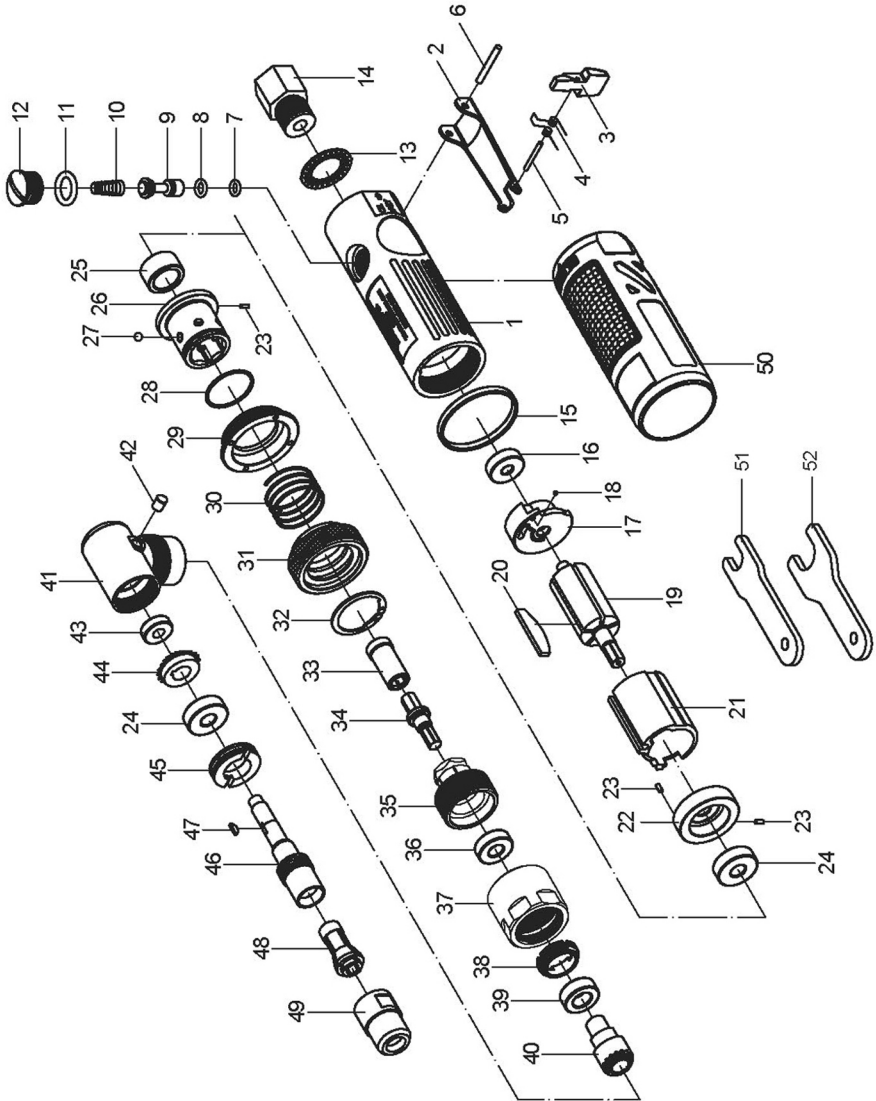


## PARTS LIST - RIGHT ANGLE DIE GRINDER

No	Description
1	Main Housing
2	Trigger
3	Lever
4	Spring
5	Roll pin
6	Roll pin
7	O-ring
8	O-ring
9	Valve stem
10	Spring
11	O-ring
12	Screw
13	Exhaust deflector
14	Air inlet
15	Seal ring
16	Bearing
17	Rear plate
18	Steel ball
19	Rotor
20	Rotor blade
21	Cylinder
22	Front plate
23	Grub screw
24	Bearing
25	Bushing
26	Set seat

No	Description
27	Steel ball
28	O-ring
29	Set ring
30	Spring
31	Quick release collar
32	Ring washer
33	Bushing
34	Adapter axle
35	Adapter sleeve
36	Bearing
37	Screw nut
38	Set ring
39	Bearing
40	Gear
41	Right angle housing
42	Grease nipple
43	Bearing
44	Gear
45	Set ring
46	Work spindle
47	Semicircular key
48	Collet
49	Collet jacket
50	Soft grip
51	Small wrench (11 mm)
52	Large wrench (17 mm)

# COMPONENT PARTS - RIGHT ANGLE DIE GRINDER



# DECLARATIONS OF CONFORMITY



**Clarke<sup>®</sup>**  
**INTERNATIONAL**

Fitzwilliam Hall, Fitzwilliam Place, Dublin 2

## DECLARATION OF CONFORMITY

This is an important document and should be retained.

We hereby declare that this product(s) complies with the following directive(s):  
2006/42/EC Machinery Directive

The following standards have been applied to the product(s):

EN ISO 11148-6:2012, EN ISO 11148-9:2011.

The technical documentation required to demonstrate that the product(s) meet(s) the requirement(s) of the aforementioned directive(s) has been compiled and is available for inspection by the relevant enforcement authorities.

The CE mark was first applied in: 2019

**Product Description:** 3 in 1 Combination Composite Air Tool  
**Model number(s):** CAT208  
**Serial / batch Number:** N/A  
**Date of Issue:** 07/06/2022

**Signed:**

J.A. Clarke  
Director

CAT208 CE-Clarke.DOC: 060722

Page 1 of 1



**Clarke<sup>®</sup>**  
**INTERNATIONAL**

Hemmill Street, Epping, Essex CM16 4LG

## DECLARATION OF CONFORMITY

This is an important document and should be retained.

We hereby declare that this product(s) complies with the following statutory requirement(s):  
Supply of Machinery (Safety) Regulations 2008

The following standards have been applied to the product(s):

EN ISO 11148-6:2012, EN ISO 11148-9:2011.

The technical documentation required to demonstrate that the product(s) meet(s) the requirement(s) of the aforementioned legislation has been compiled and is available for inspection by the relevant enforcement authorities.

The UKCA mark was first applied in: 2022

**Product Description:** 3 in 1 Combination Composite Air Tool  
**Model number(s):** CAT208  
**Serial / batch Number:** N/A  
**Date of Issue:** 07/06/2022

**Signed:**

J.A. Clarke  
Director

CAT208 UKCA-Clarke.DOC: 060722

Page 1 of 1

# USEFUL ITEMS FROM YOUR CLARKE DEALER

Your local CLARKE stockists can supply a wide choice of accessories to help you make the very best of your air compressor. These include:

## KIT1000



### 5 Piece Air Accessory Kit - KIT100

Kit comprises:

- Paint spray gun
- Recoil hose
- Paraffin gun
- Tyre inflator with gauge
- Blow gun
- Weight 2kg
- All connections 1/4" BSP



**CAT207**  
3/8" Air Drill



**CAT118**  
Sabre Saw

### CAT121

Dual Action Sander



### CAT199

1/2" Square Drive Reversible Ratchet



### CAT206

Die Grinder



**CAT151**  
Air Riveter



**CAT198**  
1/2" Square Drive Impact Wrench



**CAT126**  
Air Shears

### CAT165

Belt Sander



### CAT203

3" Cut-off Tool



A comprehensive choice of CLARKE spraying equipment is available for your air compressors, including:



### PRO12

This professional spraygun is available with a choice of nozzle sizes to suit air compressors from 1.5HP - 3HP.



### TG2

Touch up gun ideal for precision paint spraying and touch up work. This syphon fed, external mix spraygun is popular with professionals.

Air hose is available in a range of lengths. Amongst the most popular are:



### BLACK RUBBER AIR HOSE

Complete with connections, this hose is available in lengths from 10m to 50m



### RECOIL HOSE

Ideal for DIY and professional use, this recoil hose is available in a range of lengths

# A SELECTION FROM THE VAST RANGE OF

# Clarke®

## QUALITY PRODUCTS



### AIR COMPRESSORS

From DIY to industrial, Plus air tools, spray guns and accessories.

### GENERATORS

Prime duty or emergency standby for business, home and leisure.

### POWER WASHERS

Hot and cold, electric and engine driven - we have what you need

### WELDERS

Mig, Arc, Tig and Spot. From DIY to auto/industrial.

### METALWORKING

Drills, grinders and saws for DIY and professional use.

### WOODWORKING

Saws, sanders, lathes, mortisers and dust extraction.

### HYDRAULICS

Cranes, body repair kits, transmission jacks for all types of workshop use.

### WATER PUMPS

Submersible, electric and engine driven for DIY, agriculture and industry.

### POWER TOOLS

Angle grinders, cordless drill sets, saws and sanders.

### STARTERS/CHARGERS

All sizes for car and commercial use.



## PARTS & SERVICE: 0208 988 7400

**Parts Enquiries**  
[Parts@clarkeinternational.com](mailto:Parts@clarkeinternational.com)

**Servicing & Technical Enquiries**  
[Service@clarkeinternational.com](mailto:Service@clarkeinternational.com)

SALES: UK 01992 565333 or Export 00 44 (0)1992 565335

**Clarke** INTERNATIONAL Hemnall Street, Epping, Essex CM16 4LG  
[www.clarkeinternational.com](http://www.clarkeinternational.com)